



POST PRESS  
MAILROOM  
BOOKBINDERY

RS110 / RS120 BLOCKING UNIT

RIMA  SYSTEM

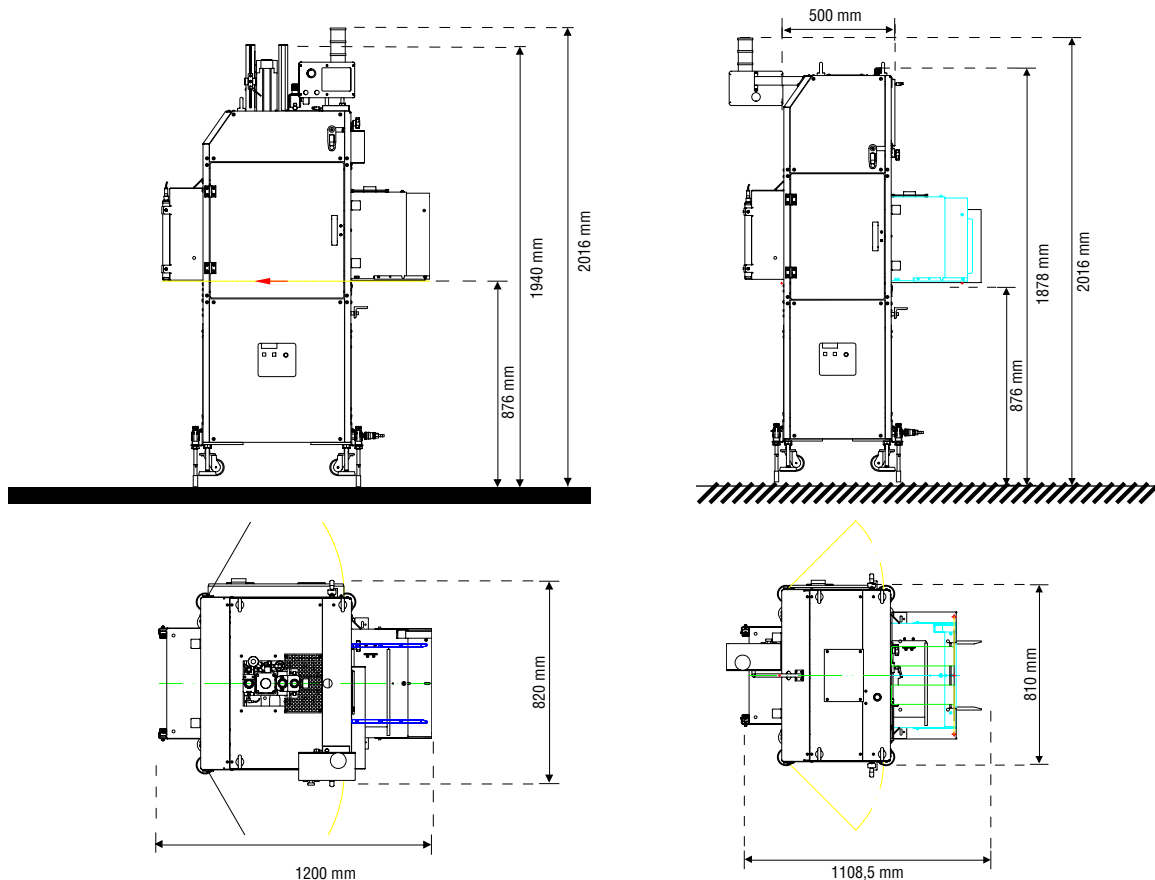
## Requirements & Solutions

The high-speed blocking unit RS 110 / RS 120 eliminates the manual stabilization of loose stacks. It compresses the stacks and gives them an electrostatic charge. This compact machine can be used in different production modes (conveying, mechanical compression, blocking, compression & blocking). The unique arrangement of its three electrodes guarantees a very consistent charge of the bundles. The stable stacks it creates are perfectly suited for further processing by a palletizing robot – the basis for a printing company with fully automated processes. The RS 110 blocking unit can handle formats from delta to tabloid while the RS 120 is a high speed model for magazine sizes only.

## Technical Data

Formats	RS 110		RS 120	
	Minimum	Maximum	Minimum	Maximum
„A“ Dimension	Standard: 180mm Multi: 100mm	Standard: 250mm multi: 320mm	100 mm	250 mm
„B“ Dimension	A4: 260mm Multi: 100mm	A4: 320mm Multi: 500mm	100 mm	320 mm
Stack height	80mm (compressed)	330mm (uncompressed)	80mm (compressed)	330mm (uncompressed)
Compression	varies between 0 - 300 kg (3000 N)		varies between 0 - 110 kg (1100 N)	
Infeed- / Delivery height	876 mm			
Product orientation	Spine to the side (head/foot leading)			
Speed	up to 20 stacks/min (product permitting)		30 stacks/min (product permitting)	
Input power	400 V, 3 Ph, N, PE, 50/60 Hz, 2 kW, 16A			
Air requirement	35 l/min 6 bar		190 l/min 6 bar	
Weight	350 kg			

Technical specifications available on request. The manufacturer reserves the right to change the technical specifications without prior notice (RS 110 / RS 120-E-11/11)



**RIMA SYSTEM**

[www.rima-system.com](http://www.rima-system.com)

RIMA-SYSTEM Europe, Germany · RIMA-SYSTEM Atlanta LLC, USA · RIMA-SYSTEM Far East Pte Ltd, Singapore · RIMA-SYSTEM Corporate Office, USA  
SYSTEM UK Ltd, United Kingdom · CIVIEMME-SYSTEM S.r.l., Italy · RIMA-SYSTEM Support Center Central America, Guatemala